



**PARTS MANUAL FOR BAD BOY ZT
MODELS
2008**

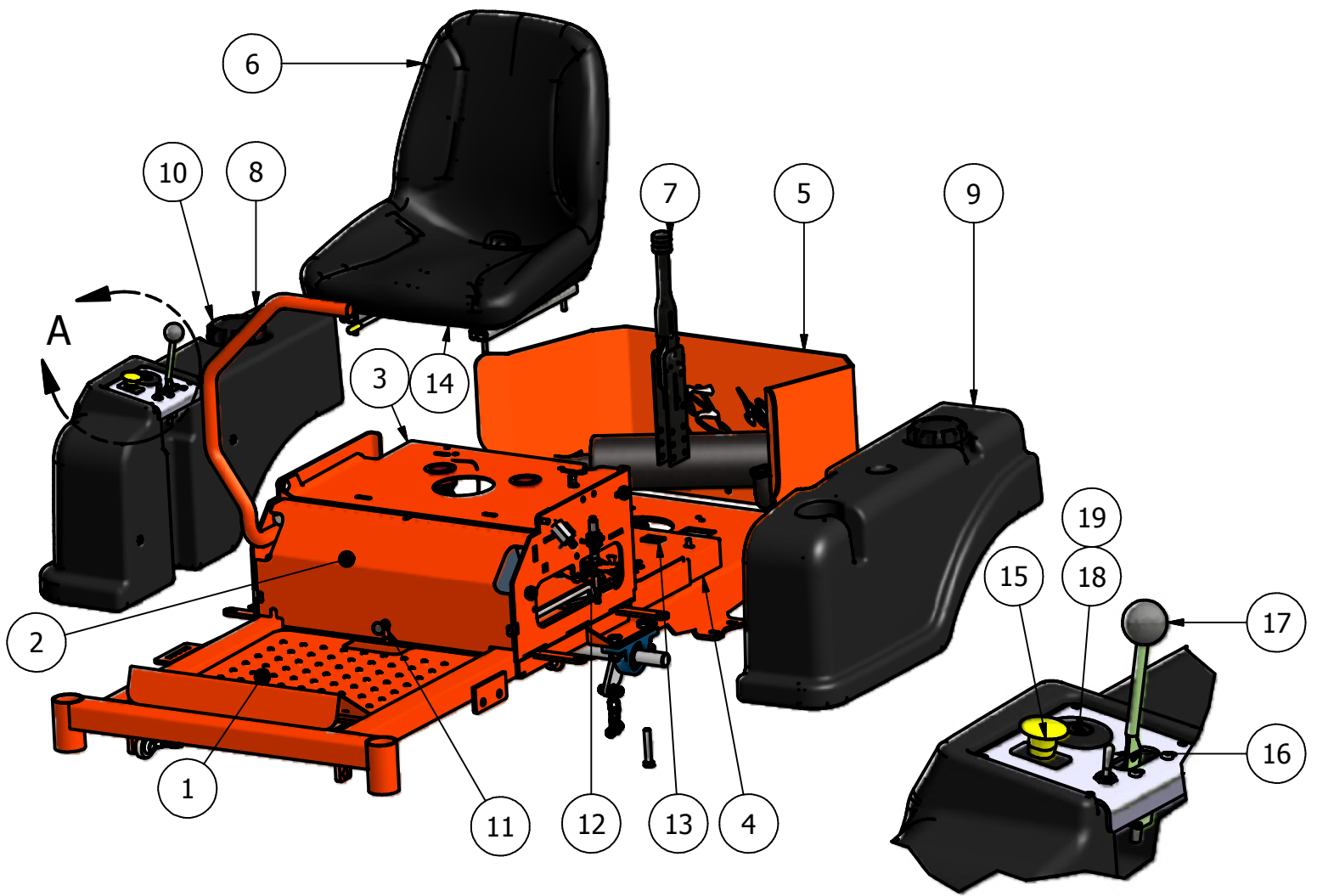


**23hp Vanguard
26hp Briggs**



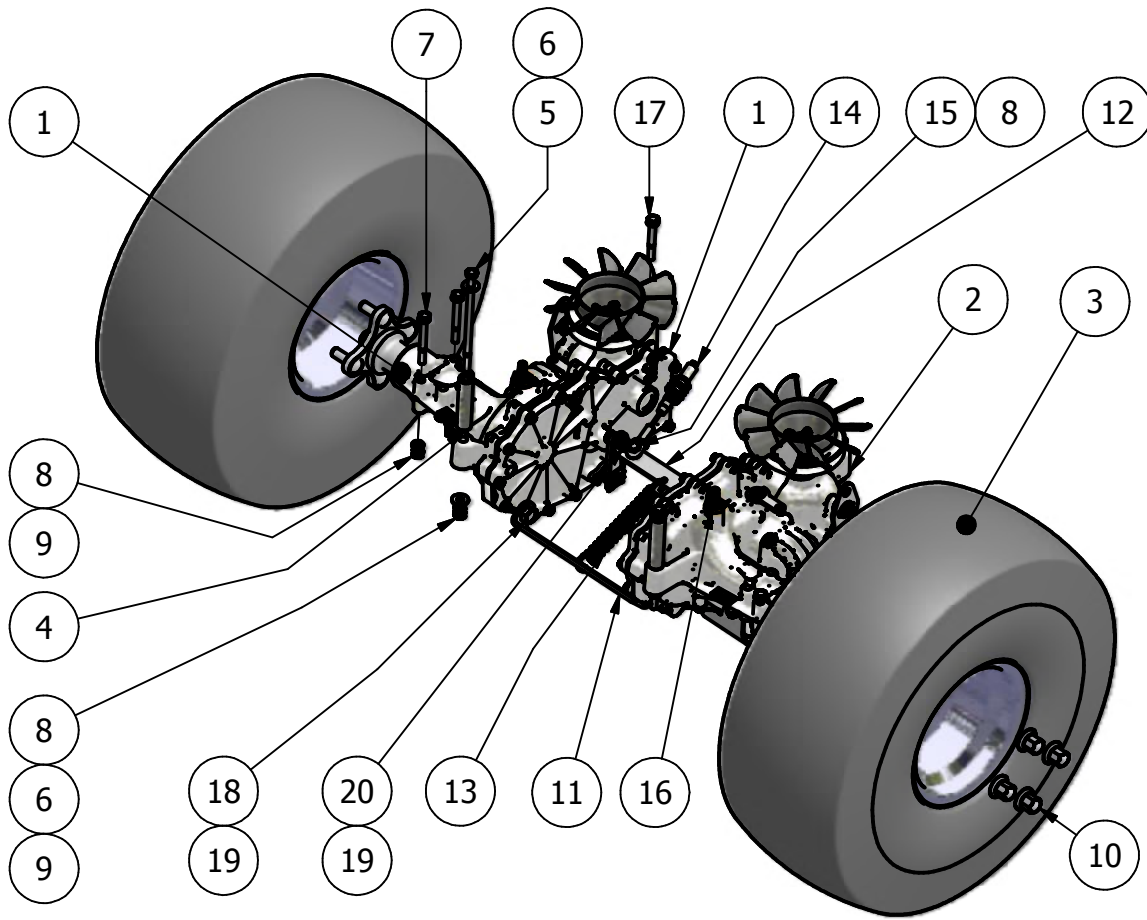
www.badboymowers.com

Seats and Tanks	3
Transaxle	4
Front Wheel	5
Actuator Bar	6
Engine/Clutch	7
Steering Controls	8
Battery/Actuator (Deck Lift)	9
36" Deck	10,11
50" Deck	12,13
60" Deck	14,15
Wiring Schematics	16
Technical Support	17

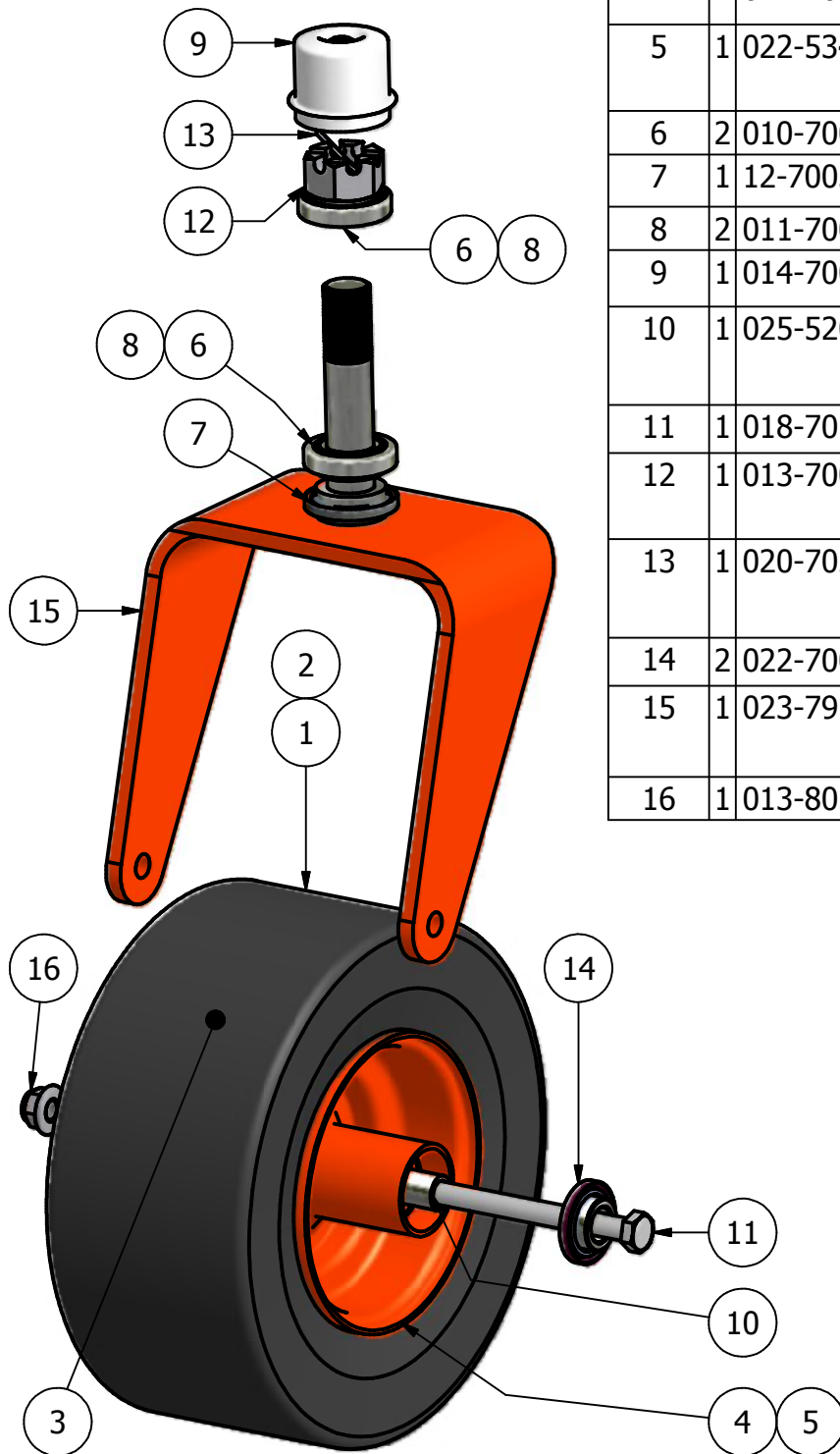


DETAIL A

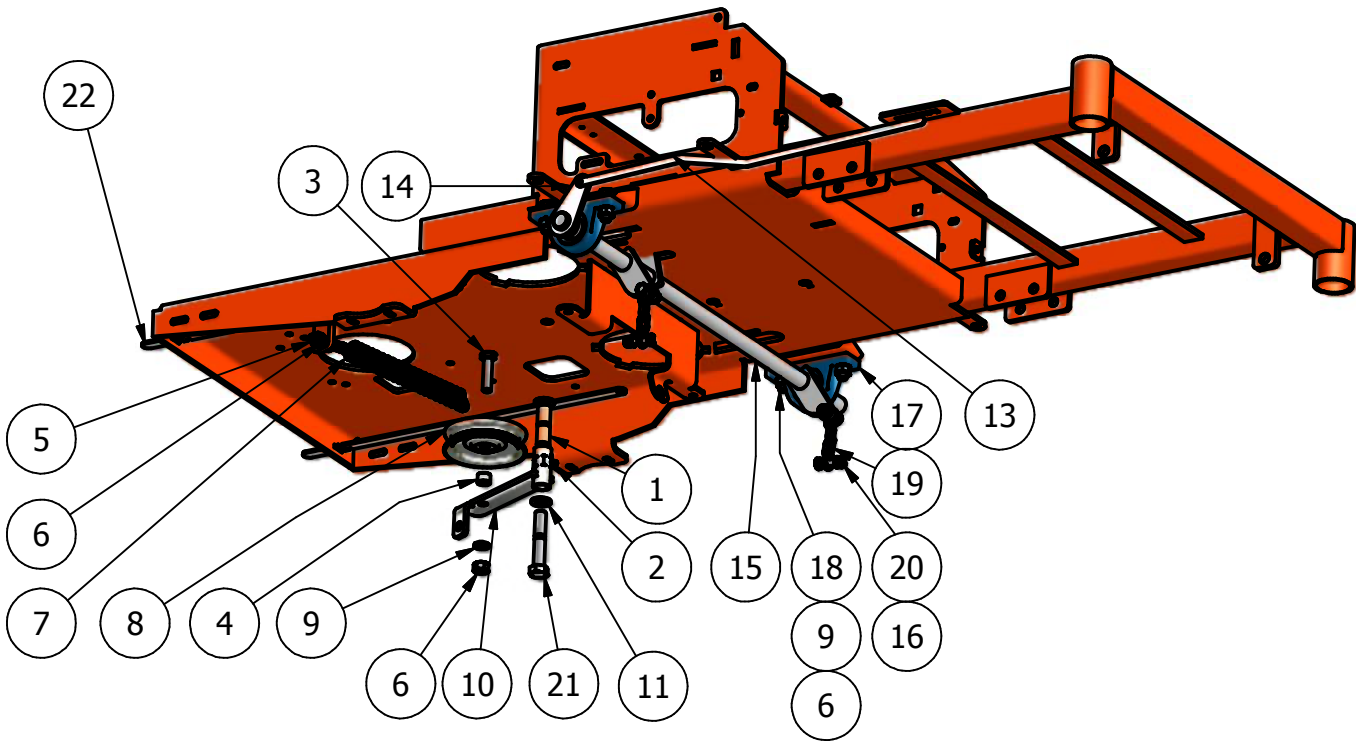
Seat and Tanks			
ITEM	QTY	PART NUMBER	DESCRIPTION
1	1	079-3407-00	ZT Floor Panel
2	1	014-3400-00	Cooler Cover
3	1	026-1000-00	Seat Mounting Plate
4	1	026-0052-00	Fan Cover
5	1	026-0053-00	ZT Rear Plate
6	1	071-8090-00	Seat Assembly
7	1	069-8054-00	Hand Brake
8	1	067-7000-00	Right Tank
9	1	067-7001-00	Left Tank
10	2	066-8076-00	Fuel Cap
11	1	054-8017-00	Choke
12	1	064-8055-00	Brake Cable
13	1	083-4013-00	Tachometer
14	1	071-8061-00	Seat Safety Switch
15	1	056-8058-00	PTO Engager
16	1	078-8077-00	Deck Lift
17	1	055-8020-00	Throttle
18	1	077-8076-00	Ignition Switch
19	1	042-9000-00	Key



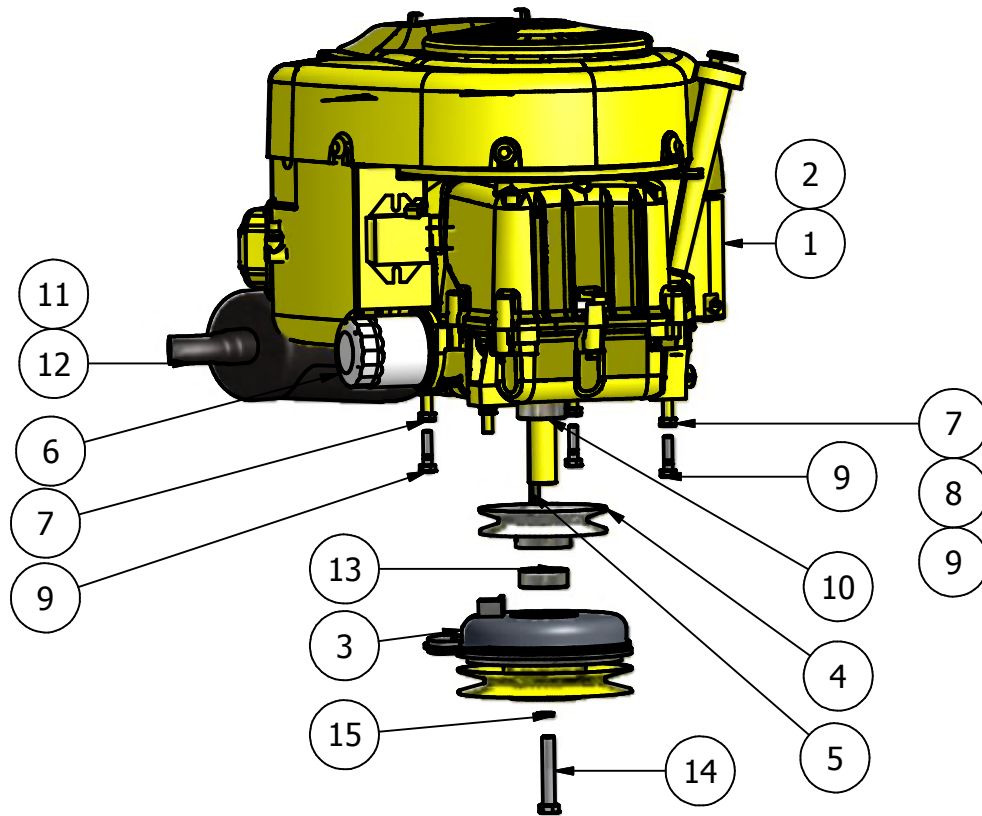
Trans Axle			
ITEM	QTY	PART NUMBER	DESCRIPTION
1	1	050-2081-00	Axle-Left
2	1	050-2080-00	Axle-Right
3	2	022-6000-00	Tire and Rim
4	2	025-5340-00	3 1/4" Transaxle Spacer
5	2	018-5355-00	5/16" x 6 " Hex Bolt
6	4	019-8051-00	5/16 Lock Washer
7	4	018-4701-00	5/16" x 3" Hex Bolt
8	9	013-8043-00	5/16 Hex Nut
9	12	019-8044-00	5/16" Flat Washer
10	8	013-3000-00	1/2" Acorn Lug Nut
11	1	039-0053-00	Crossover Brake Bracket
12	1	028-4801-00	Crossover Bar
13	1	034-9000-00	Spring
14	1	064-8055-00	Brake Cable
15	1	018-8063-00	5/16" x 3/4" Hex Bolt
16	2	024-1200-00	45 degree fitting
17	2	018-5344-00	5/16" x 2 1/2" Hex Bolt
18	2	018-3000-00	3/8" x 2" Hex Bolt
19	4	013-5041-00	3/8" Nylock Nut
20	2	018-6049-00	3/8" x 1" Hex Bolt



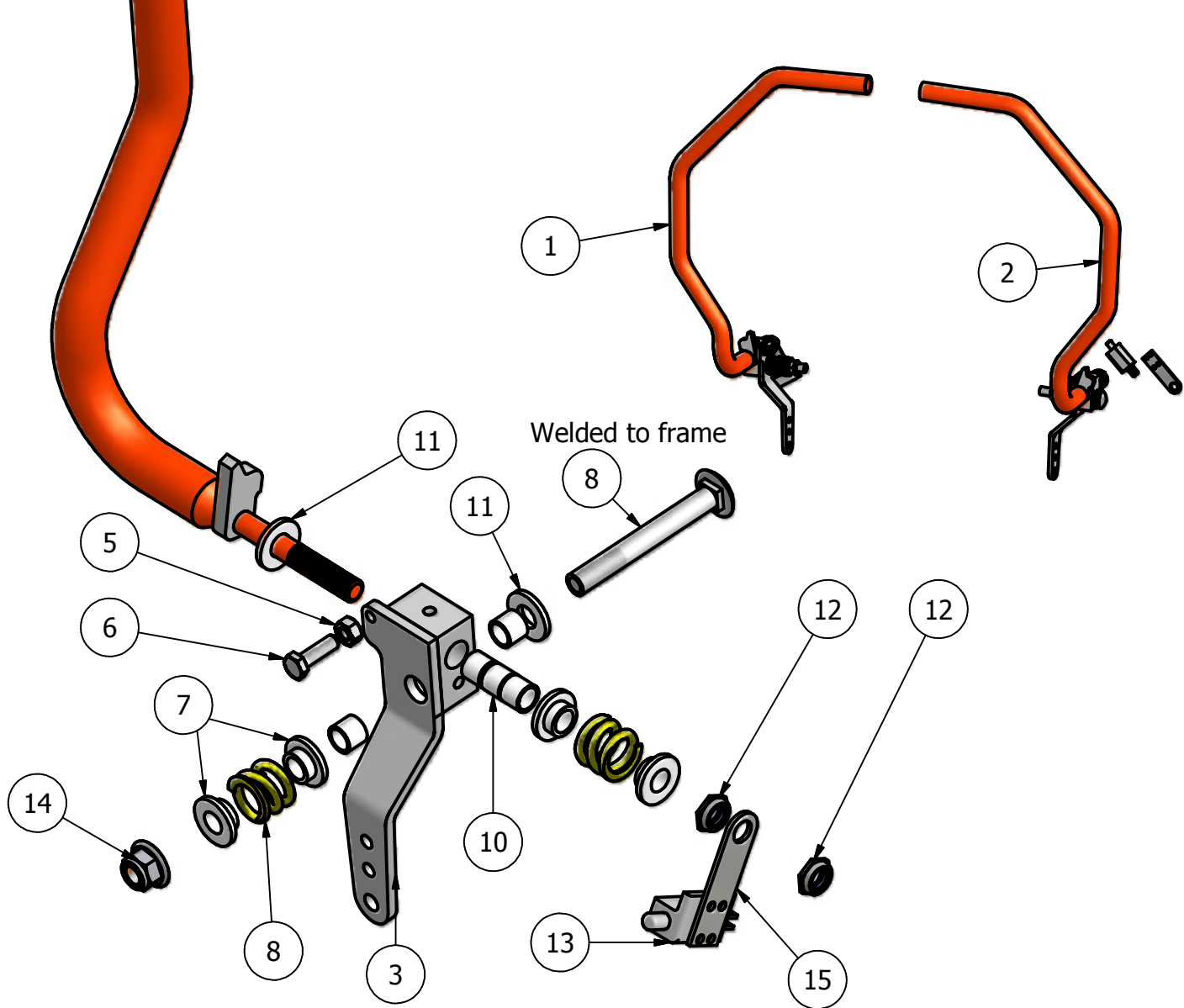
Parts List		
ITEM	PART NUMBER	DESCRIPTION
1	1 022-2006-00	13 x 6.5- 6" Tire and Wheel Assembly
2	1 022-2003-00	13 x 6.5-6" Assembly for 36" ZT
3	1 022-5347-00	13 x 6.5-6" Tire ONLY
4	1 022-7002-00	6" Wheel ONLY
5	1 022-5348-00	6" Silver Wheel for 36" ZT
6	2 010-7001-00	Bearing
7	1 12-7003-00	Seal
8	2 011-7002-00	Race
9	1 014-7005-00	Dust Cover
10	1 025-5202-00	Wheel Spacer
11	1 018-7010-00	1/2" x 9" Bolt
12	1 013-7004-00	1" Fine Threaded Castle Nut
13	1 020-7022-00	1/8" x 2 1/4" Cotter #8
14	2 022-7009-00	Wheel Bearing
15	1 023-7913-00	Front Fork with Spindle
16	1 013-8050-00	1/2" Flange Lock Nut



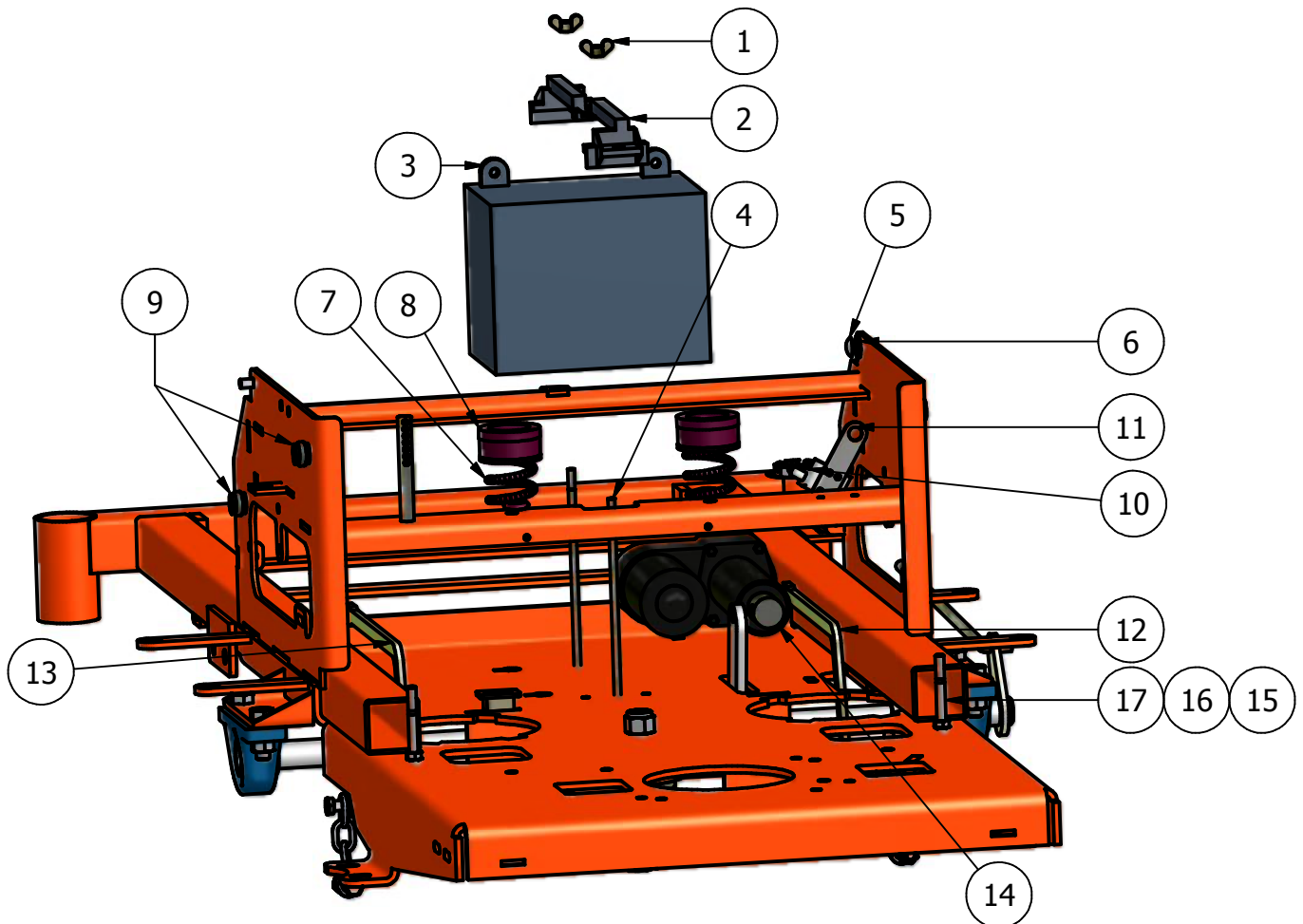
Actuator Bar			
ITEM	QTY	PART NUMBER	DESCRIPTION
1	2	032-6033-00	Bronze Bushing
2	1	024-6034-00	Grease Fitting
3	1	018-5049-00	1/2" x 2" Bolt
4	1	025-7036-00	1/2" Spacer
5	1	018-2004-00	Spring Tensioner
6	6	013-7018-00	1/2" Hex Nut
7	1	034-5039-00	Pump Idler Spring
8	1	033-6001-00	4 3/4" Idler Pulley
9	5	019-5007-00	1/2" Lock Washer
10	1	039-5944-00	Pump Idler Bracket
11	2	019-6017-00	5/8" Nylon Washer
12	1	013-7021-00	5/8" Nylock Nut
13	1	028-2502-00	Height Indicator Bar
14	1	031-7000-00	Height Indicator Lever
15	1	028-4020-00	Actuator Bar - Transaxle
16	4	013-5041-00	3/8" Nylock Nut
17	2	017-7008-00	Pillow Block Bearing
18	4	018-5006-00	1/2" x 1 1/2" Hex Bolt
19	2	047-6047-00	Deck Chain
20	4	018-6012-00	3/8" x 1 1/2" Bolt
21	1	018-5311-00	5/8" x 4" Hex Bolt
22	2	031-0052-00	Transaxle Neutral Lever



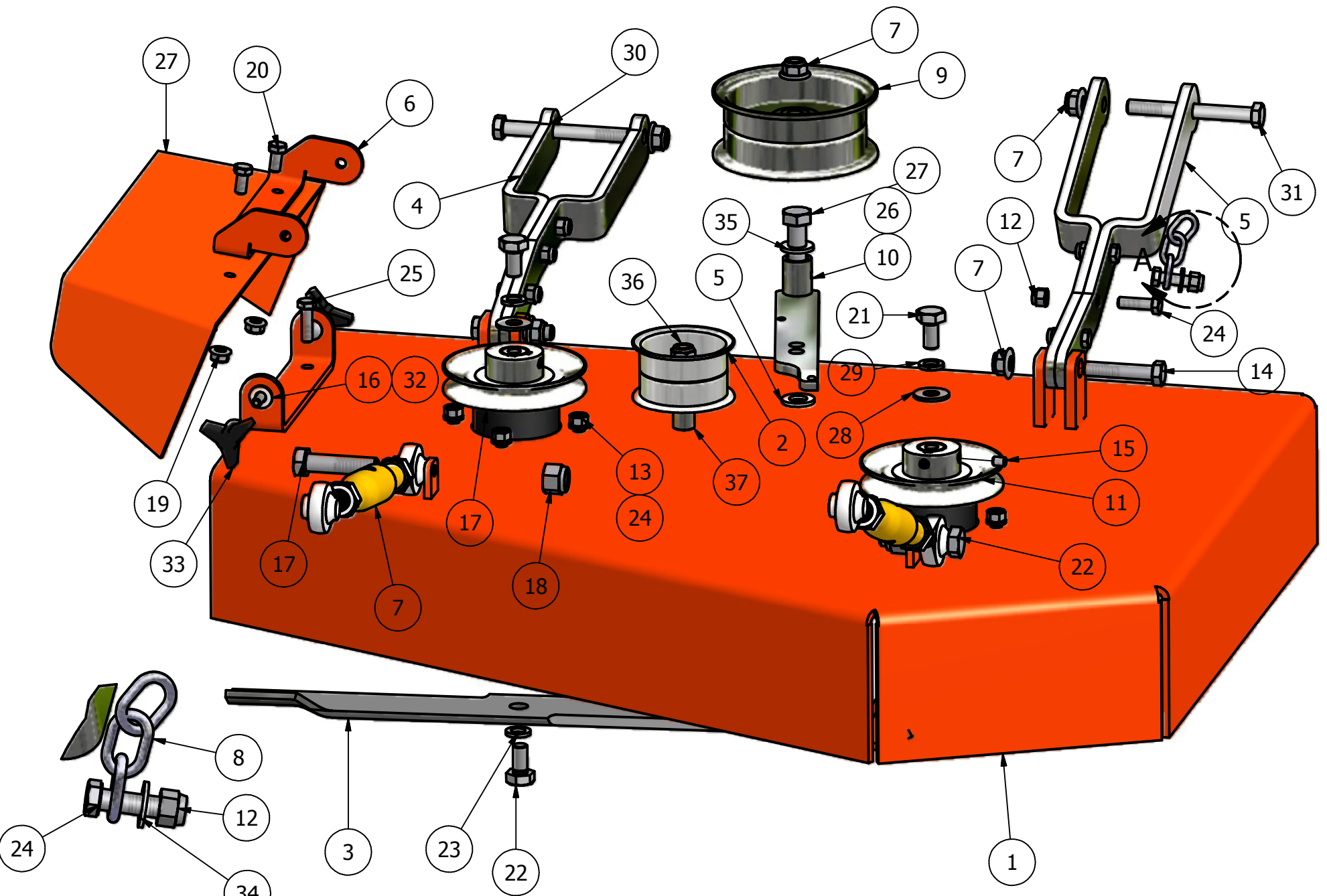
Engine / Clutch			
ITEM	QTY	PART NUMBER	DESCRIPTION
1	1	015-0026-00	26HP Briggs Intek Engine
2	1	015-0023-00	23HP Briggs Vanguard
3	1	070-1000-00	Clutch
4	1	033-5034-01	4 3/4" Motor Pulley
5	1	042-6030-00	1/4" x 1" SquareKey
6	1	063-2004-00	Briggs Intek Oil Filter
7	3	013-8043-00	5/16" Hex Nut
8	3	019-8051-00	5/16" Lock Washer
9	3	018-5025-00	5/16" x 1 1/4" Hex Bolt
10	1	025-5032-00	1 1/8 collar spacer
11	1	015-0027-00	26 HP Exhaust
12	1	015-0033-00	23 HP Exhaust
13	1	025-5337-00	Pup pulley spacer 1.125
14	1	018-5300-00	7/16" x 2 1/2" Hex Bolt
15	2	019-8051-00	5/16" Lock Washer



Drive Levers			
ITEM	QTY	PART NUMBER	DESCRIPTION
1	1	031-8822-00	Right Drive Lever
2	1	031-8821-00	Left Drive Lever
3	1	027-9001-00	Drive Arm Lever Housing - Right
4	1	027-9000-00	Drive Arm Lever Housing - Left
5	1	013-8043-00	5/16" Nut
6	1	013-8063-00	5/16" x 3/4" Bolt
7	4	019-8027-00	Nylon Washer .515 ID Shoulder
8	2	34-8025-00	Spring
10	5	032-8024-00	Nylon Bushing .507 ID
11	2	19-8054-00	.505 Nylon Washer
12	2	018-4010-00	5/8" Nylock (1/2 Jam)
13	1	077-8073-00	Electric Saftey Switch
14	1	013-8050-00	1/2" Flange Lock Nut
15	1	039-0021-00	Switch Bracket



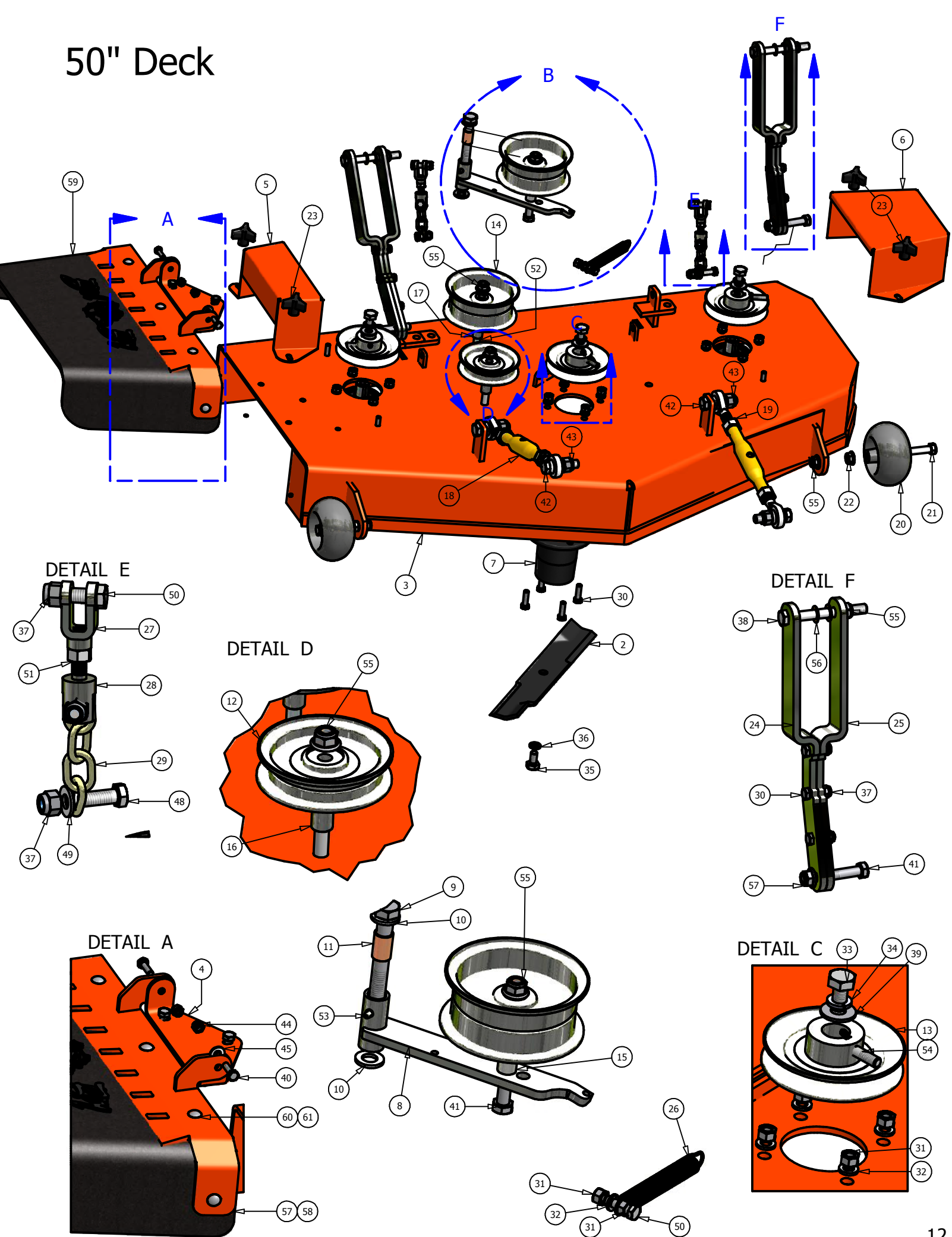
Battery / Actuator			
ITEM	QTY	PART NUMBER	DESCRIPTION
1	2	013-8051-00	1/4" Battery Wing Nut
2	2	043-8929-00	Battery Holder
3	1	068-8049-00	Battery
4	2	018-8062-00	Stove Bolt
5	2	018-8062-00	5/16" x 3/4" Carriage Bolt
6	2	019-6042-00	.360" ID Nylon Washer
7	2	034-8045-00	Seat Spring
8	2	014-8047-00	Seat Bumper
9	6	025-2000-00	1/2" Tank Spacer
10	2	077-8073-00	Switch
11	2	039-0021-00	Switch Bracket
12	1	035-5400-00	Transaxle Drive Rod Right
13	1	035-5401-00	Transaxle Drive Rod Left
14	1	035-7051-00	Actuator For ZT
15	2	018-4701-00	5/16" x 3" Hex Bolt
16	2	019-8051-00	5/16" Lock Washer
17	2	013-8043-00	5/16" Nut



DETAIL A
SCALE 0.44 : 1

Parts List			
ITEM	QTY	PART NUMBER	DESCRIPTION
1	1	060-3500-00	36" Inch ZT Deck
2	1	033-4000-00	36" ZT Idler Pulley
3	2	038-3010-00	36" Fusion Blade
4	2	031-6000-00	Deck Support Arm (Left)
5	2	031-6000-00	Deck Support Arm (Righth)
6	1	039-4860-00	Discharge Chute Bracket
7	2	048-6056-00	Turnbuckle
8	2	047-6047-00	3" Chain
9	1	033-5001-00	5 3/4" Flat Idler Pulley
10	1	039-6936-00	Deck Idler Arm
11	2	033-6003-00	5" Deck Pulley
12	9	013-5041-00	3/8 Nylock Nut
13	10	013-6014-00	3/8" Hex Bolt
14	3	018-6036-00	1/2"x2 1/2" Hex Bolt
15	2	030-6029-00	3/8" Set Screw
16	2	019-6042-00	.360 ID Plastic Washer
17	2	018-6059-00	5/8" x 2 1/2" Hex Bolt
18	2	013-7021-00	5/8" Nylock Nut
19	2	013-5201-00	3/8" Flange Nut
20	2	018-5250-00	3/8" x 3/4" Hex Bolt
21	2	018-5006-00	1/2"x 1 1/2" Fine Threaded Bolt
22	2	018-6021-00	5/8" x 1 1/2" Fine Threaded Bolt
23	2	019-4807-00	5/8" Lock Washer
24	9	019-5037-00	3/8" Lock Washer
25	18	018-5040-00	3/8" x 1 1/4" Hex Bolt
26	2	032-6033-00	5/8" ID x 1 1/8" Brass Bushing
27	1	018-5311-00	5/8" x 4" Hex Bolt
28	2	019-6020-00	1/2" Cup Washer
29	2	019-5007-00	1/2" Lock Washer
30	4	019-5010-00	1/2" Brass Bushing
31	2	018-7050-00	1/2"x4 1/2" Bolt
32	2	018-8065-00	5/16"x 1" Carriage Bolt
33	2	045-6043-00	5/16" Knob
34	2	019-5050-00	3/8" Washer
35	2	019-6017-00	.635 Nylon Washer
36	6	013-8050-00	1/2" Flange Lock Nut
35	3	047-6047-00	3" Chain Assembly
36	1	019-5050-00	3/8" Fiber Washer
37	1	025-5000-00	2.313 Spacer

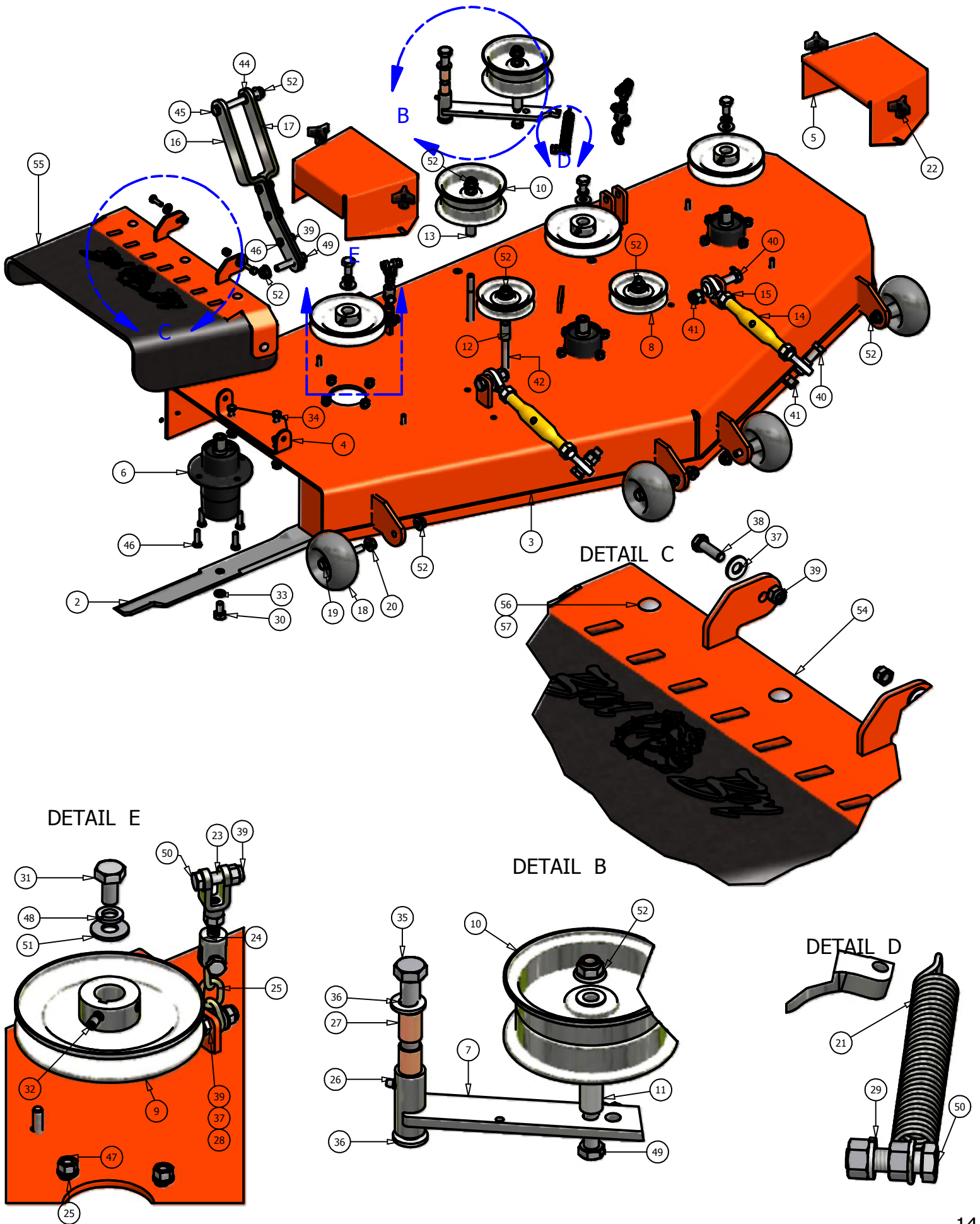
50" Deck



50" Deck

ITEM	QTY	PART NUMBER	DESCRIPTION
1	1	041-1420-00	50" Deck Belt
2	3	038-5350-00	50" Fusion Blade
3	1	060-4800-00	50" Deck
4	1	206-6017-00	Discharge Chute Hanger
5	1	014-4801-00	Spindle Cover
6	1	014-6004-00	Spindle Cover
7	3	037-6015-00	Spindle
8	1	039-6936-00	Deck Idler Arm
9	1	018-5311-00	5/8" x 4" Hex Bolt
10	2	019-6017-00	.635 ID Plastic Washer
11	2	032-6033-00	5/8" ID x 1 1/8" Brass Bushing
12	1	033-6001-00	4 3/4" Idler Pulley
13	3	033-6003-01	5" Deck Pulley
14	2	033-5001-00	5 3/4" Deck Idler Pulley
15	1	025-5337-00	1 1/4" Pulley Spacer
16	1	025-5338-00	Pup Pulley Spacer
17	1	025-5339-00	1 3/4" Pulley Spacer
18	2	048-6056-00	Turnbuckle
19	2	013-6058-00	3/4" Left Handed Nut
20	4	022-5234-00	Anti-Scalp Rollers
21	4	018-5019-00	1/2" x 4" Bolt (Grade 8)
22	4	013-5300-00	1/2" Flange Nut
23	4	045-6043-00	5/16" Knob
24	2	031-5351-00	Deck Support Arm (left)
25	2	031-5352-00	Deck Support Arm (Right)
26	1	034-9035-00	Deck Idler Spring
27	2	046-6044-00	Female Yoke
28	2	046-6048-00	Male Yoke
29	2	047-6047-00	3" Chain
30	18	018-5040-00	3/8" x 1 1/4" Hex Bolt
31	14	013-6014-00	3/8" Hex Nut
32	13	019-5037-00	3/8" Lock Washer
33	3	018-5006-00	1/2" x 1 1/2" Bolt Fine Threaded
34	3	019-5007-00	1/2" Lock Washer
35	3	018-6021-00	5/8" x 1.5" Fine Threaded Bolt
36	3	019-4807-00	5/8" Lock Washer
38	2	018-7050-00	1/2" x 4 1/2" Bolt
39	3	019-6020-00	1/2" Cup Washer
40	6	018-5015-00	5/16" x 1" Hex Bolt
41	3	018-6036-00	1/2" x 2 1/2" Hex Bolt
42	4	018-6059-00	5/8" x 2 1/2" Hex Bolt
43	5	013-7021-00	5/8 Std NC Nylock Nut
44	14	013-8047-00	5/16" Nylock Nut
45	2	019-6042-00	.360 ID Plastic Washer
46	3	018-5250-00	3/8" x 3/4" Hex Bolt
47	3	013-5201-00	3/8" Flange Nut
48	2	018-6049-00	3/8" x 1" Hex Bolt
49	2	019-5029-00	3/8" Flat Washer
50	5	018-6012-00	3/8" x 1 1/2" Hex Bolt
51	2	013-6051-00	3/8" Fine Threaded Jam Nut
52	2	018-6054-00	1/2" x 3 1/2" Bolt
53	1	024-6034-00	Grease Fitting (Drive-In Type)
54	3	030-6054-00	3/8" Hex Bolt
55	11	013-8050-00	1/2" Flange Lock Nut
56	4	019-5010-00	1/2" Brass Washer
57	1	039-4870-00	2007 Hanger Plate
58	1	039-4871-00	2007 Lower Hanger Plate
59	1	210-6005-00	Rubber Side Discharge
60	5	018-5020-00	5/16" x 1 1/2" Carriage Bolt
61	5	013-8049-00	5/16" Nylock Flange Nut

60" ZT Deck

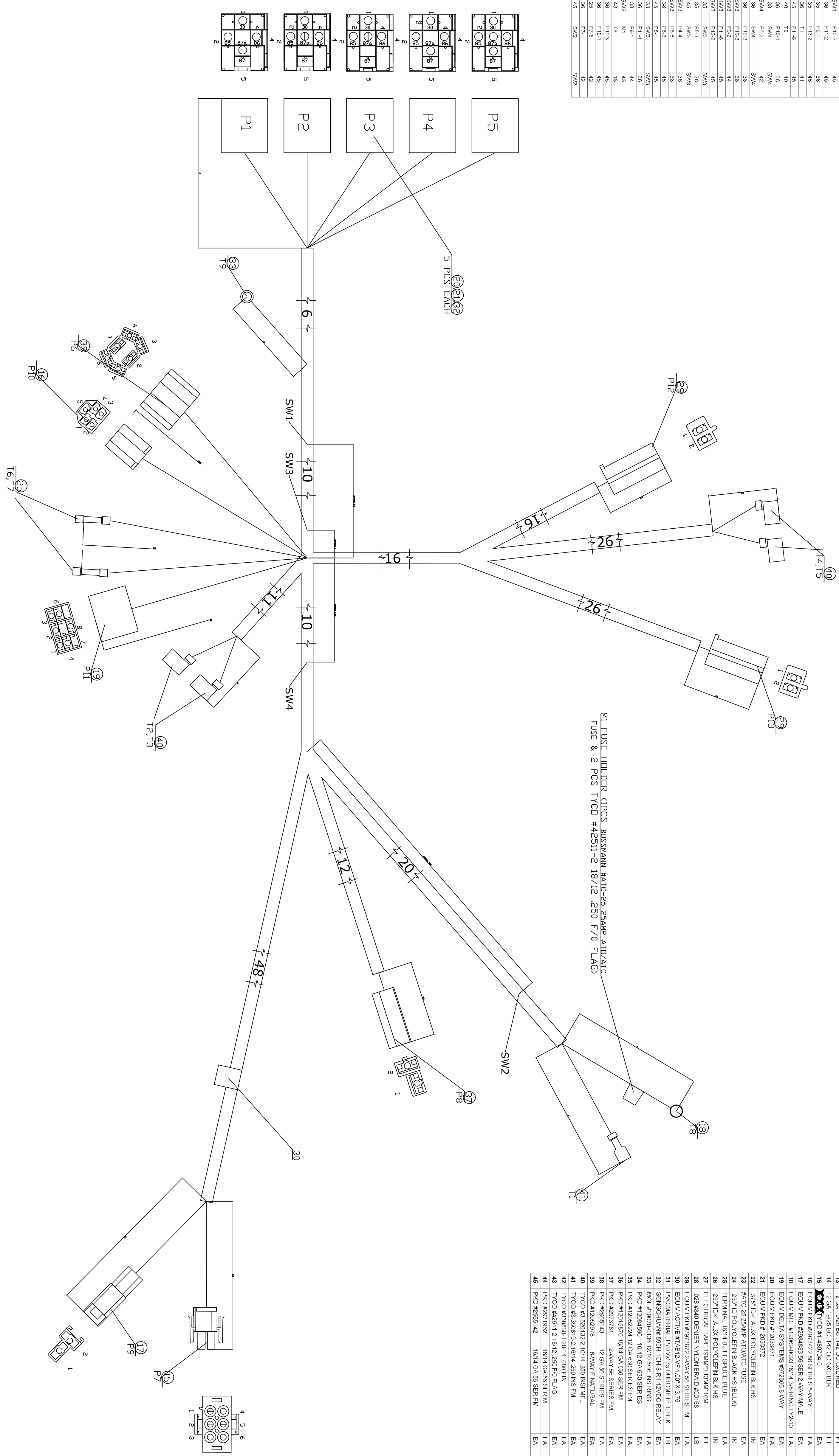


60 Inch Deck Parts List

ITEM	QTY	PART NUMBER	DESCRIPTION
1	1	041-1650-00	60" Deck Belt
2	3	038-6060-00	60" Fusion Blade
3	1	060-5403-00	60" Deck
4	1	206-6017-00	Discharge Chute Hanger
5	2	014-6004-00	Pulley Guard
6	3	037-6015-00	Spindle
7	1	039-6936-00	Deck Idler Arm
8	2	033-6001-00	4 3/4" Idler Pulley
9	3	033-6004-00	6 1/4" Drive Pulley
10	2	033-5001-01	5 3/4" Flat Idler Pulley
11	1	025-5337-00	1 1/4" Pulley Spacer
12	2	025-5338-00	Pup Pulley Spacer
13	1	025-5339-00	1 3/4" Pulley Spacer
14	2	048-6056-00	Turnbuckle
15	2	013-6058-00	3/4" Left Handed Nut
16	2	031-6000-00	Deck Support Arm
18	6	022-5234-00	Anti-Scalp Rollers
19	6	018-5019-00	1/2" x 4" Bolt (Grade 8)
20	6	013-5300-00	1/2" Flange Nut
21	1	034-2008-00	Deck Idler Spring
22	4	045-6043-00	5/16" Knob
23	2	046-6044-00	Female Yoke
24	2	046-6048-00	Male Yoke
25	2	047-6047-00	3" Chain
26	1	024-6034-00	Grease Fitting (Drive-In Type)
27	2	032-6033-00	5/8" ID x 1 1/8" Brass Bushing
28	3	018-6049-00	3/8" x 1" Hex Bolt
29	13	019-5037-00	3/8" Lock Washer
30	3	018-6020-00	5/8" x 2" Fine Threaded Bolt
31	3	018-5006-00	1/2" x 1 1/2" Bolt (Fine Threaded)
32	3	030-6029-00	3/8" Set Screw
33	3	019-4807-00	5/8" Lock Washer
34	3	018-5250-00	3/8" x 3/4" Hex Bolt
35	1	018-5311-00	5/8" x 4" Hex Bolt
36	2	019-6017-00	.635 ID Plastic Washer
37	2	019-6042-00	.360 ID Plastic Washer
38	2	018-5015-00	5/16" x 1" Hex Bolt
39	15	013-8047-00	5/16" Nylock Nut
40	4	018-6059-00	5/8" x 2 1/2" Hex Bolt
41	4	013-7021-00	5/8" Nylock Nut
42	3	018-6054-00	1/2" x 3 1/2" Bolt
44	4	019-5010-00	1/2" Brass Washer
45	2	018-7050-00	1/2" x 4 1/2" Bolt
46	18	018-5040-00	3/8" x 1 1/4" Hex Bolt
47	14	013-6014-00	3/8" Hex Nut
48	3	019-5007-00	1/2" Lock Washer
49	2	018-6036-00	1/2" x 2 1/2" Hex Bolt
50	5	018-6012-00	3/8" x 1 1/2" Hex Bolt
51	3	019-6020-00	1/2" Cupped Washer
52	13	013-8050-00	1/2" Flange Lock Nut
53	1	039-4863-00	2007 Lower Hanger Plate
54	1	039-4864-00	2007 Hanger Plate
55	1	210-6005-00	Rubber Side Discharge
56	5	018-5020-00	5/16" x 1 1/2" Carriage Bolt
57	5	013-8049-00	5/16" Nylock Flange Nut

WIRE LIST

CIR#	GAGE	CLR	From		TO
			LOCATION	TERMINAL	
1	16 GA	VEL	PH-1	35	P2-2
2	16 GA	VEL	SW1	35	T3
3	16 GA	VEL	SW1	35	T3
4	16 GA	VEL	SW1	35	T3
5	16 GA	VEL	SW1	35	T3
6	16 GA	VEL	SW1	35	T3
7	16 GA	VEL	SW1	35	T3
8	16 GA	VEL	SW1	35	T3
9	16 GA	VEL	SW1	35	T3
10	16 GA	VEL	SW1	35	T3
11	16 GA	VEL	SW1	35	T3
12	16 GA	VEL	SW1	35	T3
13	16 GA	VEL	SW1	35	T3
14	16 GA	VEL	SW1	35	T3
15	16 GA	VEL	SW1	35	T3
16	16 GA	VEL	SW1	35	T3
17	16 GA	VEL	SW1	35	T3
18	16 GA	VEL	SW1	35	T3
19	16 GA	VEL	SW1	35	T3
20	16 GA	VEL	SW1	35	T3
21	16 GA	VEL	SW1	35	T3
22	16 GA	VEL	SW1	35	T3
23	16 GA	VEL	SW1	35	T3
24	16 GA	VEL	SW1	35	T3
25	16 GA	VEL	SW1	35	T3
26	16 GA	VEL	SW1	35	T3
27	16 GA	VEL	SW1	35	T3
28	16 GA	VEL	SW1	35	T3
29	16 GA	VEL	SW1	35	T3
30	16 GA	VEL	SW1	35	T3
31	16 GA	VEL	SW1	35	T3
32	16 GA	VEL	SW1	35	T3
33	16 GA	VEL	SW1	35	T3
34	16 GA	VEL	SW1	35	T3
35	16 GA	VEL	SW1	35	T3
36	16 GA	VEL	SW1	35	T3
37	16 GA	VEL	SW1	35	T3
38	16 GA	VEL	SW1	35	T3
39	16 GA	VEL	SW1	35	T3
40	16 GA	VEL	SW1	35	T3
41	16 GA	VEL	SW1	35	T3
42	16 GA	VEL	SW1	35	T3
43	16 GA	VEL	SW1	35	T3
44	16 GA	VEL	SW1	35	T3
45	16 GA	VEL	SW1	35	T3



MATERIAL LIST

No.	DESCRIPTION	UOM	QTY	UNITS
1	16 GA 19229 BC 103 00 GQL BLK	FT	23.250	CHINA
2	16 GA 19229 BC 103 00 GQL BRN	FT	3.653	CHINA
3	16 GA 19229 BC 103 00 GQL YEL	FT	19.313	CHINA
4	16 GA 19229 BC 103 00 GQL BLU	FT	4.324	CHINA
5	16 GA 19229 BC 103 00 GQL ORG	FT	7.975	CHINA
6	16 GA 19229 BC 103 00 GQL GRN	FT	21.822	CHINA
7	16 GA 19229 BC 103 00 GQL RED	FT	5.000	CHINA
8	16 GA 19229 BC 103 00 GQL BKWHT	FT	9.521	CHINA
9	14 GA 19227 BC 117 00 GQL BLK	FT	6.417	CHINA
10	14 GA 19227 BC 117 00 GQL YEL/BLK	FT	7.644	CHINA
11	14 GA 19227 BC 117 00 GQL YEL	FT	14.053	CHINA
12	12 GA 19225 BC 142 00 GQL YEL	FT	2.177	CHINA
13	12 GA 19225 BC 142 00 GQL RED	FT	4.542	CHINA
14	12 GA 19225 BC 142 00 GQL BLK	FT	1.522	CHINA
15	TYCO #1-48704-0	EA	1.000	CHINA
16	EDUIV #PQD #297242 25 SERIES 5WAY F	EA	1.000	CHINA
17	EDUIV #PQD #297242 25 SERIES 5WAY F	EA	1.000	CHINA
18	EDUIV #MCL #19393 0003 3P/4 3S RINGLET/2-10	EA	1.000	CHINA
19	EDUIV #MCL #19393 0003 3P/4 3S RINGLET/2-10	EA	5.000	CHINA
20	EDUIV #PQD #297242 25 SERIES 5WAY F	EA	5.000	CHINA
21	EDUIV #PQD #297242 25 SERIES 5WAY F	EA	5.000	CHINA
22	3/75" ID* ALX3 POLYOLFIN BK/HS	IN	1.000	CHINA
23	#ATC-25 25AMP AT/ATC USE	EA	1.000	CHINA
24	2597 ID POLYOLFIN BLACK HS (BLK)	IN	1.500	CHINA
25	TERMINAL 16/14 BUTT SPICE BLUE	EA	2.000	CHINA
26	2597 ID* ALX3 POLYOLFIN BK/HS	IN	3.000	CHINA
27	ELECTRICAL TAPE 19MM*13MM*10M	FT	3.000	CHINA
28	028 #940 DENIER NYLON 9940 #20195	LB	0.512	CHINA
29	EDUIV #PQD #297242 25WAY 25 SERIES FIM	EA	2.000	CHINA
30	EDUIV ACTIVE #71812VF 109 X 3.75	EA	1.000	CHINA
31	PCA/BAT/EROL #71812VF 109 X 3.75	EA	0.040	CHINA
32	PCA/BAT/EROL #71812VF 109 X 3.75	EA	3.000	CHINA
33	MPC #12065224 12 GA 500 SERIES FIM	EA	1.000	USA
34	MPC #12065224 12 GA 500 SERIES FIM	EA	1.000	USA
35	MPC #12065224 12 GA 500 SERIES FIM	EA	3.000	USA
36	PQD #297242 25WAY 25 SERIES FIM	EA	17.000	USA
37	PQD #297242 25WAY 25 SERIES FIM	EA	1.000	USA
38	PQD #297242 25WAY 25 SERIES FIM	EA	5.000	USA
39	PQD #12065224 12 GA 500 SERIES FIM	EA	1.000	USA
40	TYCO #3-508132 2 18/14 250 NS/FTM	EA	4.000	USA
41	TYCO #3-508132 2 18/14 250 NS/FTM	EA	1.000	USA
42	TYCO #356523-1 20/14 088 FIM	EA	4.000	USA
43	TYCO #42511-2 18/12 250 F/0 FLAG	EA	2.000	USA
44	PQD #297182 16/14 GA 500 SER FIM	EA	2.000	USA
45	PQD #297182 16/14 GA 500 SER FIM	EA	18.000	USA

- NOTES:
1. ALL WIRES PER SAE J1128 GXL INSULATION COLOR AS INDICATED.
 2. ALL DIMENSION ARE IN INCHES.
 3. RELAY CONNECTORS MUST HAVE MOUNTING HOLE OF 1/4".

PCA DWG CHANGES	ENG APPR	QUAL APPR	VENDOR DATE	BY
REV A	RELEASED	BD	5/15/06	PDL
<p>PCA LLC PRECISION CABLE ASSEMBLIES BROOKFIELD, WISCONSIN</p>				
UNLESS OTHERWISE SPECIFIED DIMENSIONS ARE IN INCHES TOLERANCES ARE : DECIMALS: ±.063 ANGLES: ±5°		WIRE HARNESS		
DRAWN BY: PDL	DATE: 5/15/06	PCA DWG# P-6002-FG-DWG	CUST P/N 086-2050-006	CUST REV A
OKD BY: LW	DATE: 5/15/06	APPLICABLE SPECIFICATIONS:		

Bad Boy, Inc.
102 Industrial Drive
Batesville, AR 72501
1.866.622.3269
www.badboymowers.com

Technical Support:

James Russell
Extension 6638
Bill Hurst (bill@badboymowers.com)
Extension 6617
Brad Covington
Extension 6648

Warranty:

Dustin Tissiere (dustin@badboymowers.com)
Extension 6613
Bill Hurst (bill@badboymowers.com)
Extension 6617

Parts:

Brad Foree (brad@badboymowers.com)
Extension 6637
Robert Patterson (robert.patterson@badboymowers.com)
Extension 6649