



**BAD BOY  
IMPLEMENTS**



**4', 5', 6' & 7'**

# Landscape Rake

## **OWNER'S OPERATION & PARTS MANUAL**

For additional information, please see us at  
[www.badboymowers.com](http://www.badboymowers.com)

Bad Boy, Inc.  
102 Industrial Drive  
Batesville, Arkansas 72501

---

## TO THE DEALER

Assembly, initial lubrication, and verification of proper installation of this product is the responsibility of the Bad Boy dealer. Be familiar with the safety rules and instructions found in this manual. Ensure all items on the Dealer's Pre-Delivery and Delivery Checklists in this manual are completed before releasing the unit to the new owner.

## TO THE OWNER

Note: Anyone who operates your Bad Boy implement must first read this owners manual. Although this implement has been engineered with safety and reliability as the foremost concerns, there is no substitute for an informed and cautious operator. This manual should be viewed as a part of the equipment itself. If this manual is lost, destroyed, or otherwise rendered unreadable, obtain a duplicate immediately. A duplicate can be obtained online at [www.badboymowers.com](http://www.badboymowers.com).

As with all machinery, this implement requires periodic maintenance and should be kept free of debris buildup. Proper care will ensure many years of dependable service. Replacement parts should only be obtained from your Bad Boy dealer or through the website referenced above. Failure to utilize approved parts can be dangerous and will void the warranty.

### LEA EL INSTRUCTIVO!

Si no lee Ingles, pida ayuda a alguien que si lo lea para que le traduzca las medidas de seguridad.

Three terms are utilized throughout this manual and are present on the Implement safety decals:

**DANGER, WARNING, and CAUTION.**

- DANGER:** Indicates a hazardous situation that, if not avoided will result in death or serious injury.
- WARNING:** Indicates a hazardous situation that, if not avoided, could result in death or serious injury.
- CAUTION:** Indicates a hazardous situation that, if not avoided, could result in minor or moderate injury.

In order to better draw attention to these important safety messages, the above terms are accompanied with the following pictorial:



# TABLE OF CONTENTS

SPECIFICATIONS .....	4
SAFETY RULES .....	5
GENERAL INFORMATION.....	8
OPERATION .....	8
OWNER SERVICE .....	11
PRODUCT WARRANTY .....	13

# SPECIFICATIONS

Category	4',5',6' & 7' Bad Boy Implement
Lift Attachment Brackets	1/2" solid welded
Warranty	1 year limited
Total Width 4',5',6'&7'	
Overall Height 4',5',6'&7'	
Length 4',5',6'&7'	
Weight 4',5',6'&7'	4'-175lbs, 5'-201lbs, 6'-227lbs 7'-254lbs
Blades 4', 5',6'&7'	48" / 60" / 72" / 84"
Tractor Range	25hp, to 50hp
3-Point Hitch	4',5',6'&7' category 1

# SAFETY RULES

**Note: (Safety instructions are important!! While these instructions may seem lengthy or redundant, they are presented for your safety)**

## TRAINING

- Almost all accidents arising from the use of equipment such as this that has resulted in injury or death would have been avoided had instructions such as these been adhered to.
- If you do not understand any part of this manual, contact your dealer for assistance.
- Dangerous situations can arise quickly. Know your controls and how to stop the engine and attachment in an emergency. Fractions of a second can be extremely important.
- Do not allow anyone to operate the equipment without first requiring them to read this manual and giving proper instruction.
- Never allow children (< 16 years of age) or untrained persons to operate the equipment.

## PREPARATION

- Check that all hardware is properly installed.
- Wear sturdy, rough-soled work shoes and protective equipment for eyes, hair, hands, hearing, and head. Wear a respirator or filter mask where appropriate.
- Make sure the implement is properly secured, adjusted, lubricated, and in good operating condition.
- Tractor must be equipped with Roll-Over Protective Structure (ROPS) or ROPS cab and seat belt. ALWAYS keep seat belt securely fastened. Falling off the tractor can, and does, result in death. Keep foldable ROPS system in 'locked up' position at all times.
- Make sure all safety decals are installed and free from damage. Replace if damaged.
- A minimum of 20% of tractor and equipment weight must be on the tractor front wheels when attachments are in transport position. Without this weight, front tractor wheels could raise up resulting in loss of steering. The weight may be attained with front wheel weights, ballast in tires or front tractor weights. Weigh the tractor and equipment, do not estimate.
- Check tractor and equipment clearance. when in transport position some equipment with rippers, chain guards, or skids may get into tires if in a low hanging position. Always check tractor to equipment clearance before transporting.

---

## **OPERATION**

- Do not operate or transport equipment while under the influence of alcohol or drugs.
- Operate only in daylight or good artificial light.
- Keep hands, feet, hair, and clothing away from equipment while engine is running. Stay clear of all moving parts.
- Always comply with all state and local lighting and marking requirements.
- **NEVER ALLOW RIDERS ON POWER UNIT OR IMPLEMENT!**
- Always sit in the tractor seat when operating controls or starting engine. Securely fasten seat belt, place transmission in neutral, engage brake, and ensure all other controls are disengaged before starting tractor engine.
- Look down and to the rear and make sure area is clear of people, animals, property, or foreign objects before operating in reverse. Children often do not understand the severity of the potential danger. A major portion of implement accidents involve children being ran over during reverse operation of the implement.
- Do not operate or transport on steep slopes.
- Do not stop, start, or change directions suddenly on slopes.
- Use extreme care and reduce ground speed on slopes and rough terrain.
- Watch for hidden hazards on the terrain during operation.
- Stop tractor unit and equipment immediately upon striking an obstruction. Turn off engine, remove key, inspect, and repair any damage before operation resumes.
- Leak down or failure of mechanical or hydraulic system can cause equipment to drop.
- Make certain all movement of equipment components has stopped before exiting the tractor.

- Do not allow bystanders in the area when operating, attaching, removing, assembling, or servicing equipment.
- Keep all persons away from operator control area while performing adjustments, service, or maintenance.
- Do not modify or alter (or permit anyone else to modify or alter) the equipment or any of its components in any way.
- Always wear relatively tight and belted clothing to avoid getting caught in moving parts. Wear sturdy, rough-soled work shoes and protective equipment for eyes, hair, hands, hearing, and head.
- Make certain all movement of equipment components has stopped before approaching for service.

### **STORAGE**

- Keep children and bystanders away from storage area.

### **CHILDREN**

Extremely tragic accidents can, and do, occur if the operator is not continually alert to the presence of children. Children are often attracted to machinery. NEVER assume that children will remain where you last saw them.

- Never allow children to operate the equipment (<16 years of age).
- Use extra care when approaching blind corners, shrubs, trees, or other objects that may block your view of a child.

---

# GENERAL INFORMATION

## WARNING

The purpose of this manual is to assist you in operating and maintaining your implement. Read it carefully. It furnishes information and instructions that will help you achieve years of dependable performance. These instructions are the product of extensive field experience, engineering data, accident reports, and statistical data. Although some information may be general in nature due to unknown and varying operating conditions, through experience and adherence to these instructions, you should be able to develop sound operating procedures suitable to your particular situation.

The illustrations and data used in this manual were current at the time of printing, but due to possible running changes, your machine may vary slightly in detail. Bad Boy Implements reserves the right to redesign and change the machines as necessary without notification.

Throughout this manual, references are made to right and left sides of the equipment. These directions are determined by standing behind the equipment.

## OPERATION

The operator is responsible for the safe operation of the implement. The operator must be properly trained. Operators should be familiar with the implement, the tractor utilized, and all safety practices before starting operation.



## **ATTACH Implement TO TRACTOR**

### **CAUTION**

1. Attach tractor 3-point lift arms to the implement hitch pins and secure.
2. Attach tractor top link to cutter clevis. Select a top link mounting pin that will allow floating link to swing freely through the cutter A-frame bars. NOTE: You will need to adjust the top link; refer to 'Top Link Adjustment' in the next section.

### **TOP LINK ADJUSTMENT**

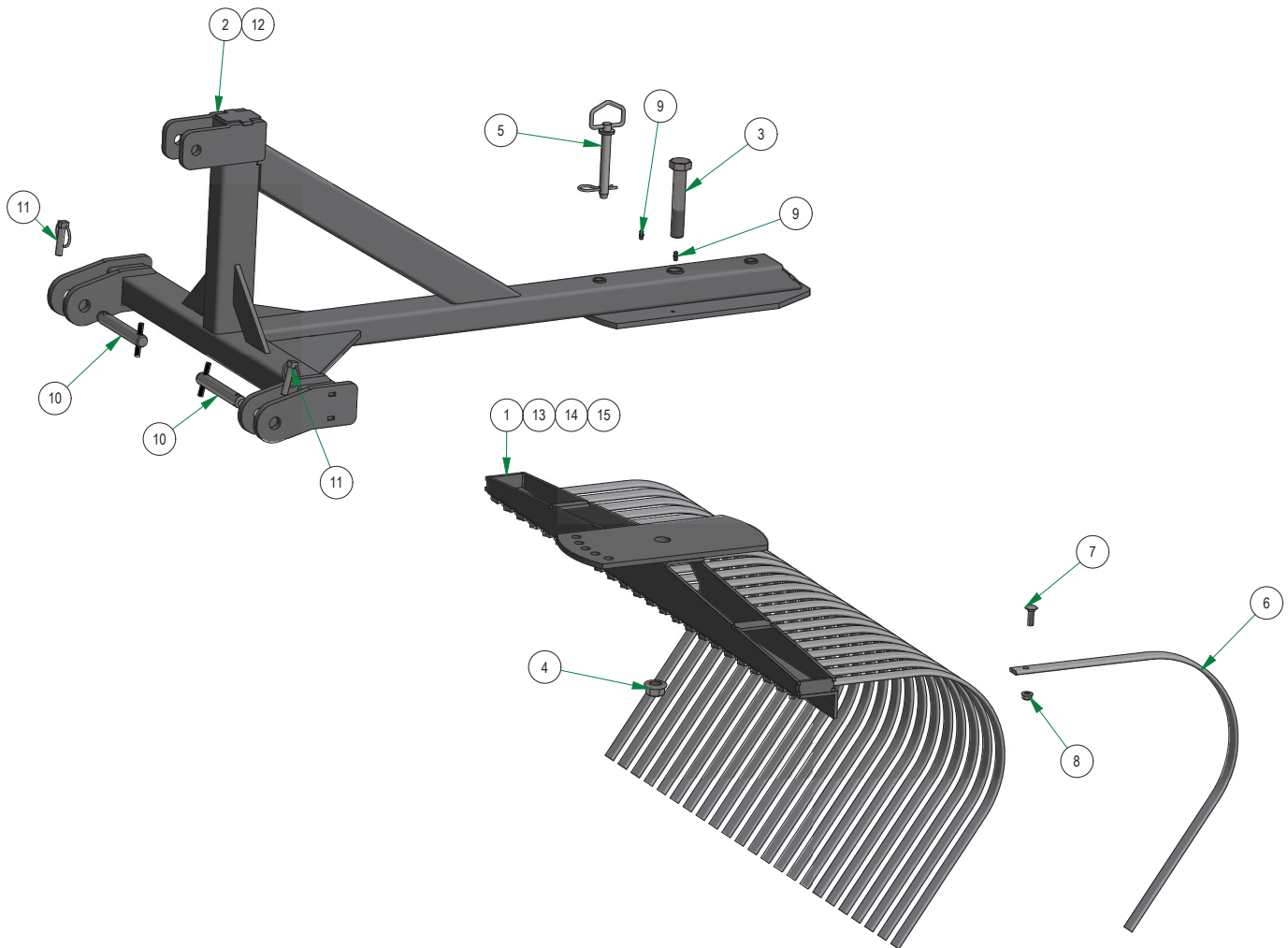
1. Attach tractor top link to lowest hole provided in the tractor's top link bracket.
2. Attach rear portion of tractor top link to the hole on the Implement floating link. Select a top link mounting pin that will allow the floating link to swing freely through the implement A-frame bars.
3. Raise Implement to transport position and adjust tractor top link until Implement is level in the raised position.
4. If you cannot level the implement using the lowest hole in the tractor's top link bracket, move top link to the next hole and level the implement.



BAD BOY MOWERS

# PARTS SECTION: Rake 4FT,5FT,6FT,7FT

Parts List				Parts List			
ITEM	QTY	PART NUMBER	DESCRIPTION	ITEM	QTY	PART NUMBER	DESCRIPTION
1	1	388-3014-00	48 Rake Weldment	9	2	024-6034-00	1/4 DRIVE-TYPE STRAIGHT GREASE FITTING ZINC YELLOW)
2	1	388-3030-00	4FT/5FT Blade 3PT Hitch Weldment	10	2	344-2006-00	6" lift pin
3	1	318-0030-00	7/8" X 5" Hex Bolt Gr 8	11	2	340-0014-00	7/16"x2x Lynch pin
4	1	313-0018-00	7/8" Flange Top Lock Nut	12	1	388-3019-00	6FT/ 7FT 3PT Hitch Weldment
5	1	340-0011-00	5/8" x 4" Lynch Pin	13	1	388-3023-00	60" Rake Weldment
6	24	338-0010-00	Rake Tine	14	1	388-3024-00	72 Rake Weldment
7	24	018-5043-00	3/8-16 X 1-1/4 CARRIAGE BOLT ZINC	15	1	388-3025-00	84 Rake Weldment
8	24	013-5202-00	3/8-16 NYLON INSERT FLANGE LOCKNUT (GR.F) ZINC				



# OWNER SERVICE

The information in this section is written for operators who possess basic mechanical skills. If you need help, your dealer has trained service technicians available. For your protection, read and follow the safety information in this manual.

## WARNING

- **Keep all persons away from operator control while performing adjustments, service, or maintenance.**

## CAUTION

- If you do not understand any part of this manual and need assistance, see your dealer.
- Always wear relatively tight and belted clothing to avoid getting caught in moving parts. Wear sturdy, rough-soled work shoes and protective equipment for eyes, hair, hands, hearing and head.

## WARNING

- **Never go underneath equipment (lowered to the ground or raised) unless it is properly blocked and secured. Never place any body part underneath equipment or between moveable parts even when the engine has been turned off. Hydraulic system leak down, hydraulic system failures, mechanical failures, or movement of control levers can cause equipment to drop or rotate unexpectedly and cause severe injury or death. Follow Operator's Manual instructions for working underneath and blocking requirements or have work done by a qualified dealer.**

---

# WARRANTY

## OWNER/OPERATOR'S RESPONSIBILITY

It is the owner and/or operator's responsibility to read the owner's manual before use. Failure to read the owner's manual is considered a misuse of this equipment.

It is the owner and/or operator's responsibility to inspect the product and to have any part(s) repaired or replaced before continued operation. Failure to do so could cause damage, excessive wear to other parts, or jeopardize operator safety.

## LIMITED WARRANTY

Bad Boy Implements warrants to the original purchaser of any new Bad Boy Implement(s) that the equipment be free from defects in material and workmanship for a period of one (1) year from date of retail sale.

At Bad Boy Implements request, the customer will make the defective part available for inspection by Bad Boy Implements and/or return the defective part to Bad Boy Implements. Transportation charges prepaid.

### WHAT THIS WARRANTY DOES NOT COVER:

This warranty does not cover defects caused by depreciation or damage caused by wear, accidents, improper maintenance, improper use or abuse of the product, alterations, or failure to follow the instructions contained in the Owner's Manual for operation and maintenance.

Normal maintenance service and consumable items such as gearbox lubricant, blades, tire, or normal deterioration of exterior finish due to use or exposure.

**Bad Boy Implements will not be responsible for the pickup and delivery of a machine for warranty purposes or inspection.**

## WARRANTY LIMITATION:

THERE IS NO OTHER EXPRESSED WARRANTY. ANY WARRANTY THAT MAY BE IMPLIED FROM THIS PURCHASE INCLUDING MERCHANTABILITY AND FITNESS FOR A PARTICULAR PURPOSE IS HEREBY LIMITED TO THE DURATION OF THIS WARRANTY AND TO THE EXTENT PERMITTED BY LAW ANY AND ALL IMPLIED WARRANTIES ARE EXCLUDED. Some states do not allow limitations on how long an implied warranty lasts, so the above limitations may not apply to you.

**BAD BOY IMPLEMENTS WILL NOT BE LIABLE FOR ANY INCIDENTAL, CONSEQUENTIAL, OR SPECIAL DAMAGES AND/OR EXPENSES IN CONNECTION WITH THE PURCHASE OR USE OF THE IMPLEMENT.** Some states do not allow the exclusion or limitation of incidental or consequential damages, so the above limitation(s) or exclusion(s) may not apply to you.

### HOW TO OBTAIN SERVICE UNDER THIS WARRANTY:

Warranty service can be arranged by contacting the dealer where you purchased the Implement or by contacting Bad Boy Implements at [warranty@badboycutters.com](mailto:warranty@badboycutters.com).

Proof of the date of purchase may be required to verify warranty coverage.

**B. Warranty claims will not be reviewed or paid unless the warranty registration is received by Bad Boy Cutters within 30 days of the retail purchase date.**

Record the model number, serial number and date purchased. This information will be helpful obtaining parts or service if required.

SERIAL NUMBER \_\_\_\_\_

DATE OF RETAIL SALE \_\_\_\_\_

PLACE OF PURCHASE \_\_\_\_\_



# **BAD BOY IMPLEMENTS**

102 Industrial Drive  
Batesville, Arkansas 72501  
(870) 698-0090

---