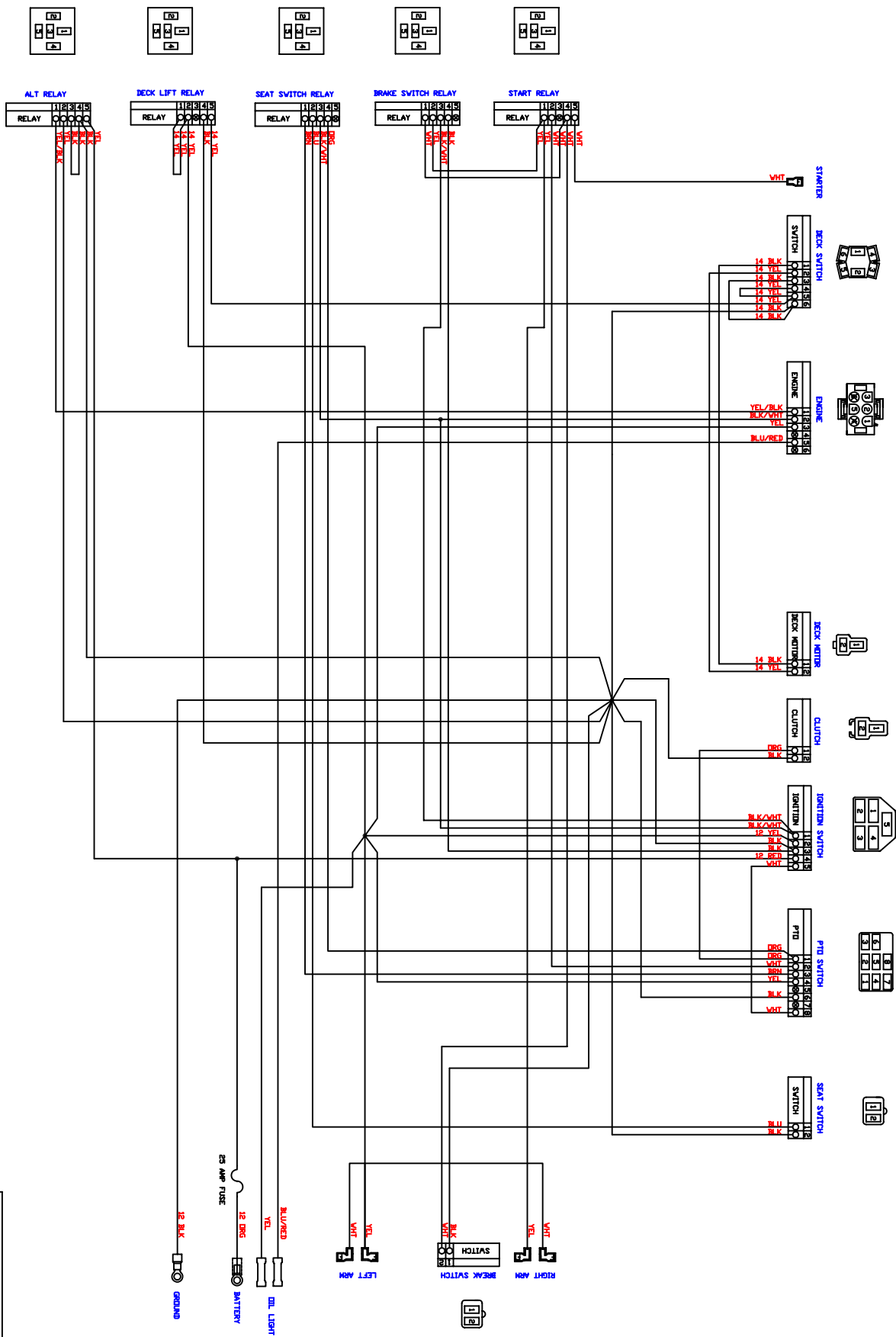


ALL WIRES 16GA UNLESS NOTED OTHERWISE.



ELECTREX, INC.
 HUTCHINSON, KS

CUSTOMER: BAUD BOY
 THEIR P/N: 086-2050-00
 DWG TITLE: SCHEMATIC
 OUR P/N: 9199028SCHEMATIC

REV. 1
 DATE: 9/28/05

DRAWN BY: AND

THIS DRAWING AND THE INFORMATION IT CONTAINS ARE THE PROPERTY OF ELECTREX, INC. AND MAY BE USED BY OTHERS ONLY AS AUTHORIZED BY US.