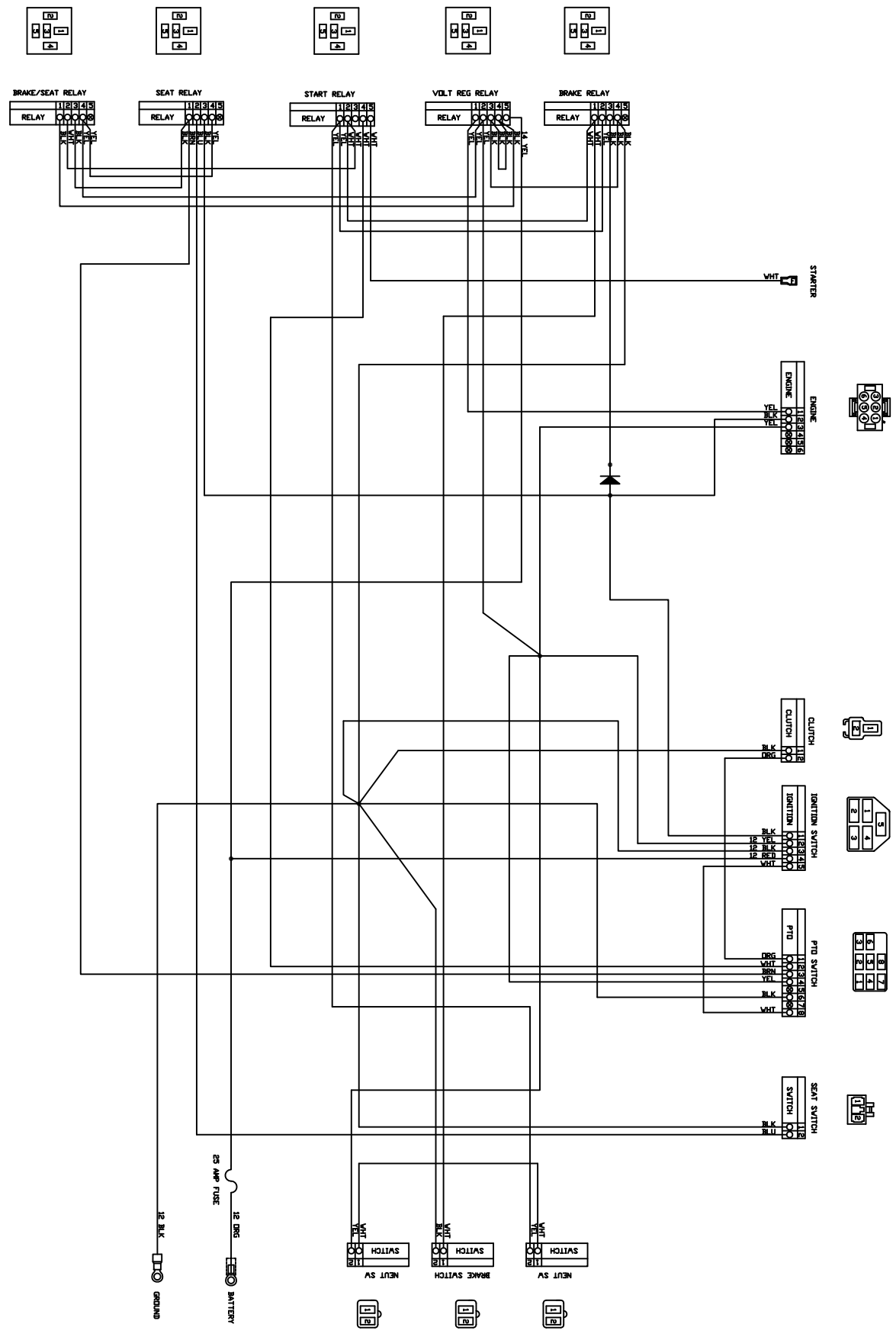


ALL VIEWS 1604 UNLESS NOTED OTHERWISE.



**ELECTREX, INC.**  
 HUTCHINSON, KS  
 CUSTOMER: BAID BOY  
 THEIR P/N: 086-0075-00  
 DWG TITLE: SCHEMATIC  
 OUR P/N: 9198056SCHEMATIC

THIS DRAWING AND THE INFORMATION IT CONTAINS ARE THE PROPERTY OF ELECTREX, INC. AND MAY BE USED BY OTHERS ONLY AS AUTHORIZED BY US.

P 1 OF 1 REVISION A  
 DRAWN BY: MARK DATE: 9/24/09