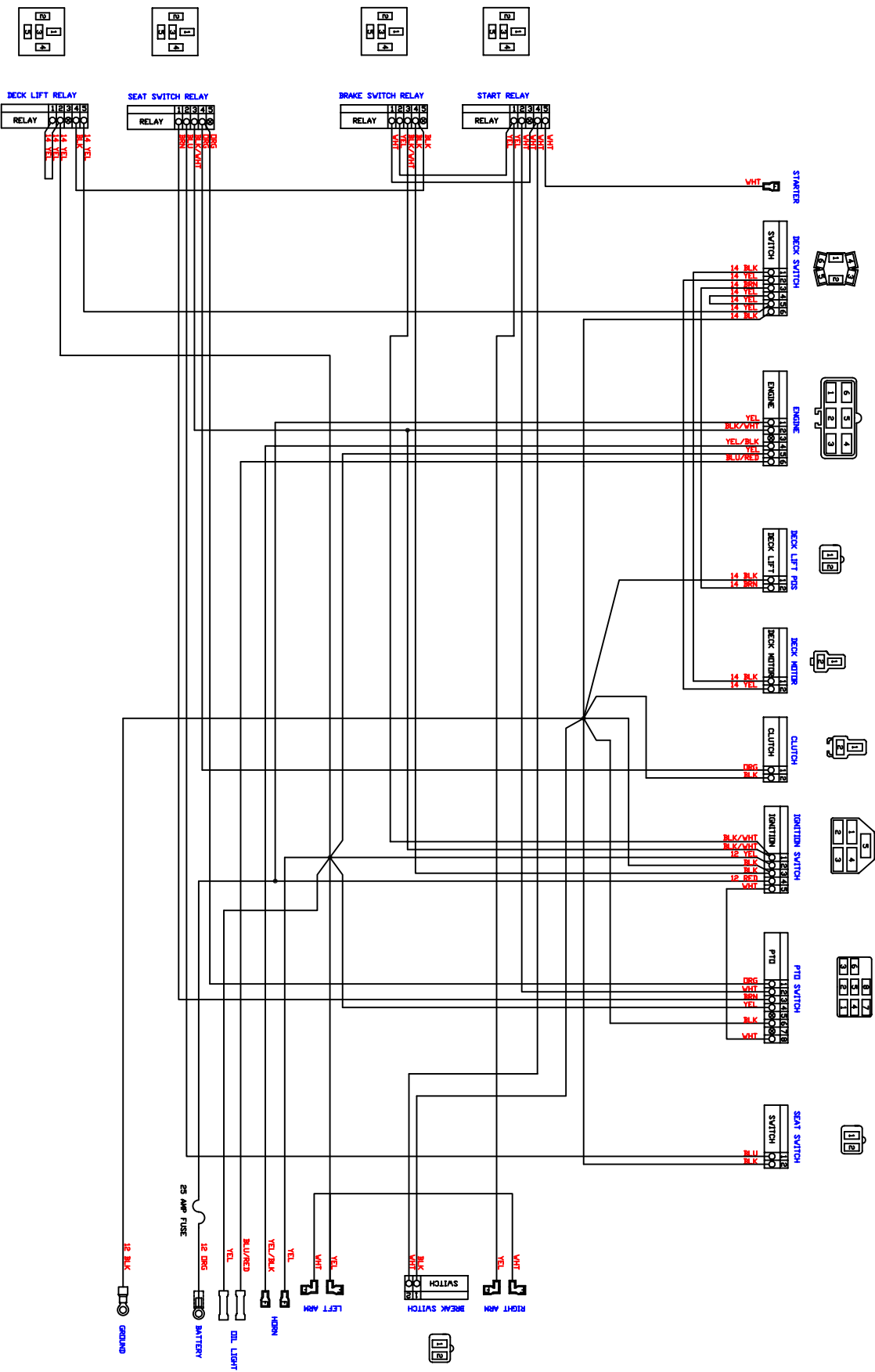


ALL WIRES 16GA UNLESS NOTED OTHERWISE.



THIS DRAWING AND THE INFORMATION IT CONTAINS ARE THE PROPERTY OF ELECTREX, INC. AND MAY BE USED BY OTHERS ONLY AS AUTHORIZED BY US.

**ELECTREX, INC.**  
 HUTCHINSON, KS

CUSTOMER: BAID BIV  
 THEIR P/N: 086-2010-00  
 DWG TITLE: SCHEMATIC  
 OUR P/N: 919802SCHEMATIC

REV: 1 OF 1  
 DATE: 9/28/05

REVISION: C  
 DRAWN BY: AND